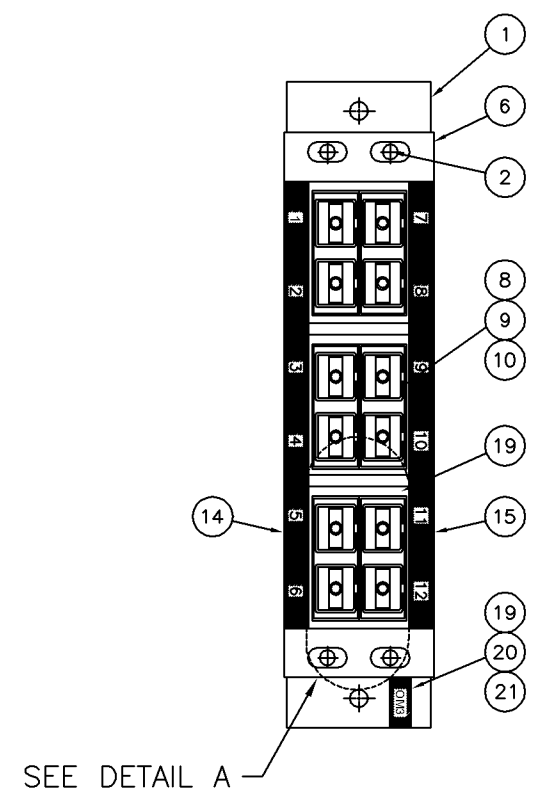
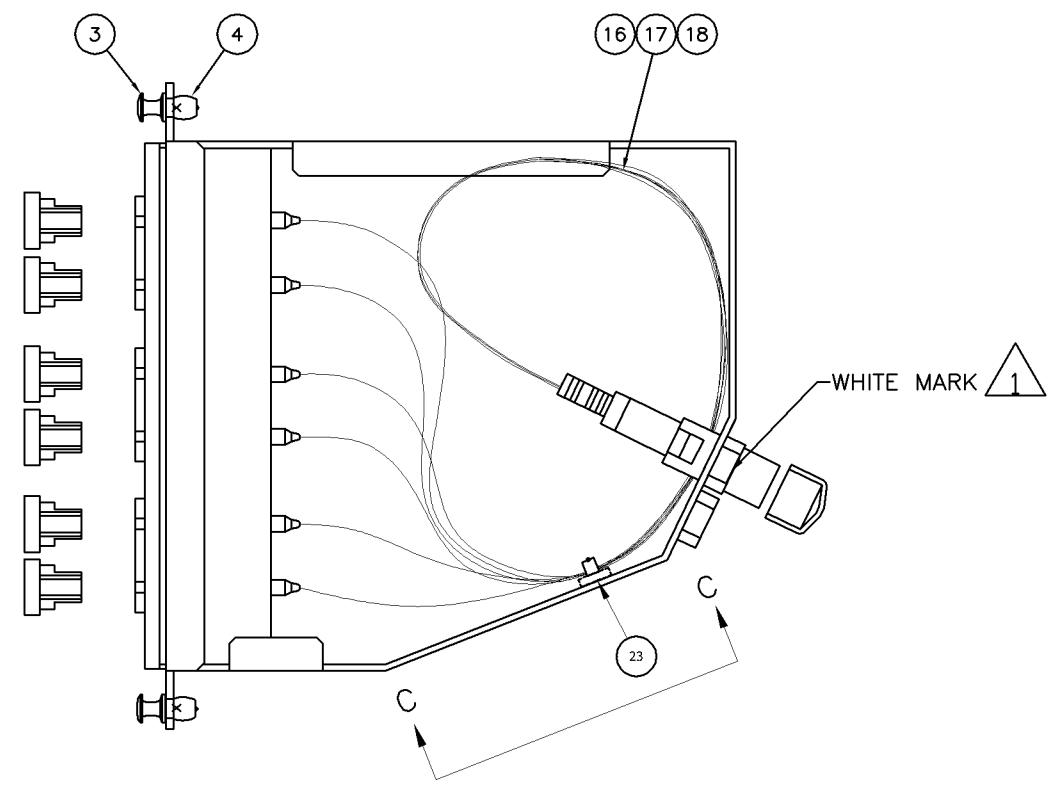


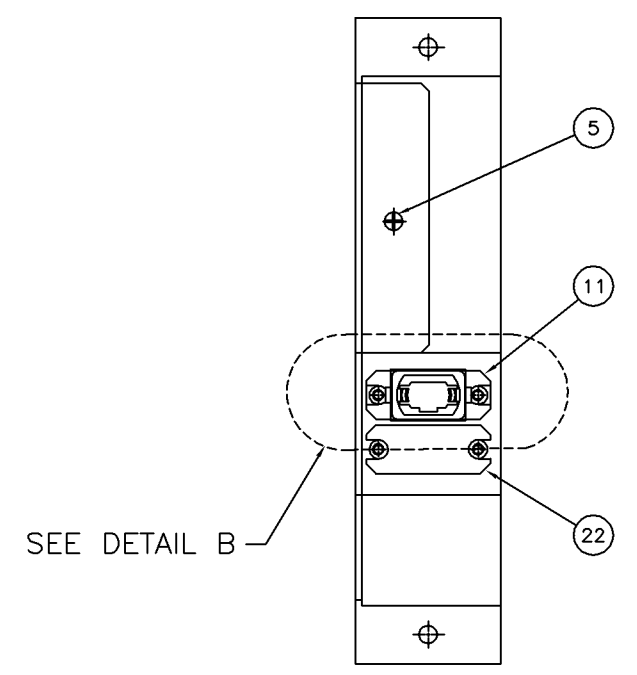
LDC		DIST		REVISIONS			
P	LTR	DESCRIPTION	DATE	OWN	APVD		
	K	ECR-11-013414	30JUN2011	SBY	JX		



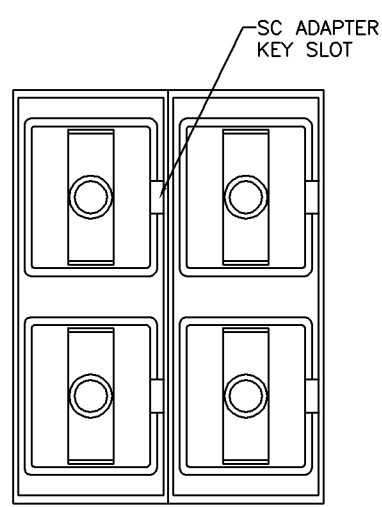
LEFT VIEW



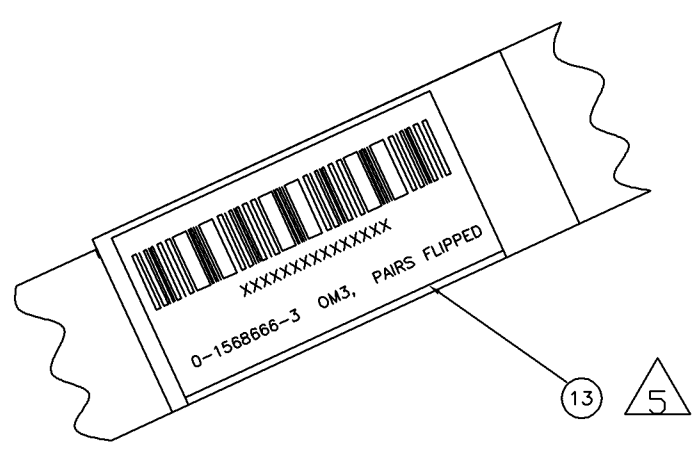
FRONT VIEW
(CASSETTE COVER NOT SHOWN)



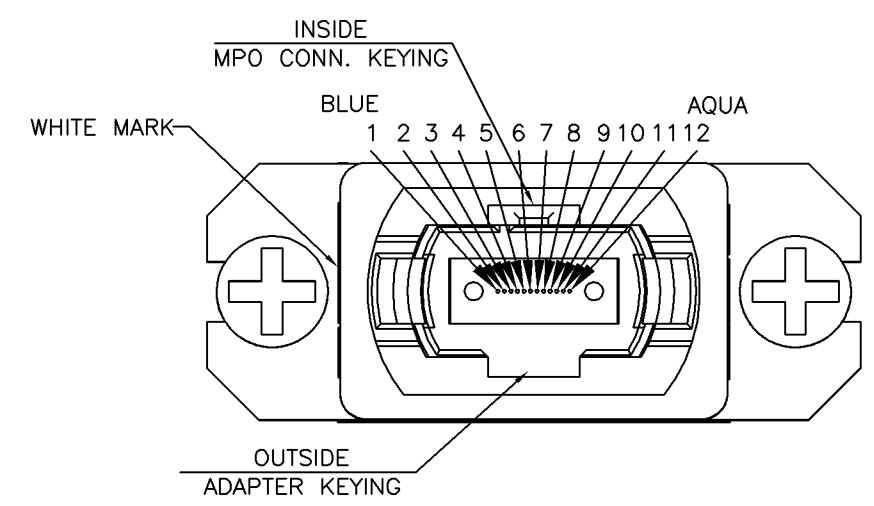
RIGHT VIEW



DETAIL A
NOT TO SCALE
TYP. 6 PLACES.



VIEW C-C



DETAIL B
NOT TO SCALE

THIS DRAWING IS A CONTROLLED DOCUMENT.		OWN	21 NOV 05	STE TE Connectivity																								
		CHK	21 NOV 05																									
		APVD	21 NOV 05	NAME MPO-SC CASSETTE 12F SM/OM1/OM3																								
		PRODUCT SPEC																										
		APPLICATION SPEC		RESTRICTED TO																								
		WEIGHT																										
DIMENSIONS: METER		TOLERANCES UNLESS OTHERWISE SPECIFIED:		SIZE	CAGE CODE	DRAWING NO																						
<table border="1"> <tr><td>0 PLC</td><td>±</td><td>-</td></tr> <tr><td>1 PLC</td><td>±</td><td>-</td></tr> <tr><td>2 PLC</td><td>±</td><td>-</td></tr> <tr><td>3 PLC</td><td>±</td><td>-</td></tr> <tr><td>4 PLC</td><td>±</td><td>-</td></tr> <tr><td>ANGLES</td><td>±</td><td>-</td></tr> <tr><td>FINISH</td><td></td><td></td></tr> </table>		0 PLC	±	-	1 PLC	±	-	2 PLC	±	-	3 PLC	±	-	4 PLC	±	-	ANGLES	±	-	FINISH					A2	00779	C-1568666	
0 PLC	±	-																										
1 PLC	±	-																										
2 PLC	±	-																										
3 PLC	±	-																										
4 PLC	±	-																										
ANGLES	±	-																										
FINISH																												
MATERIAL		CUSTOMER DRAWING		SCALE	NTS	SHEET	1 of 3																					
				REV	K																							

4

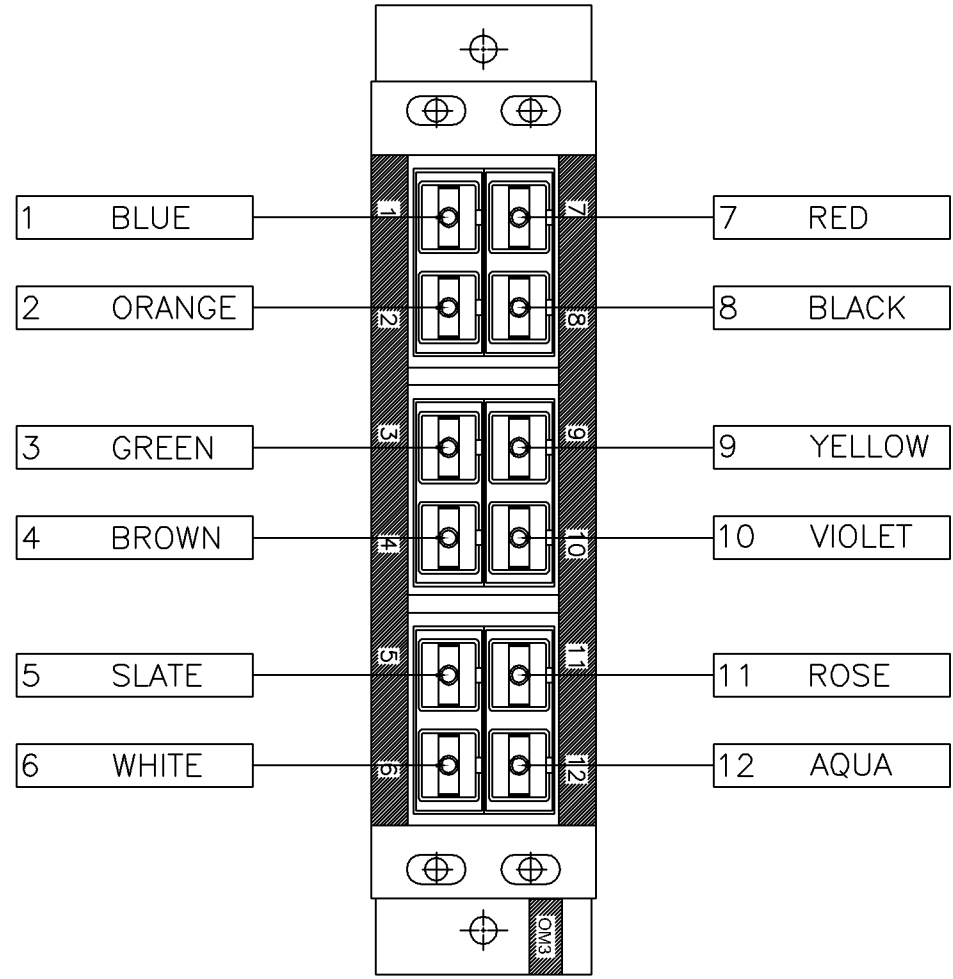
3

2

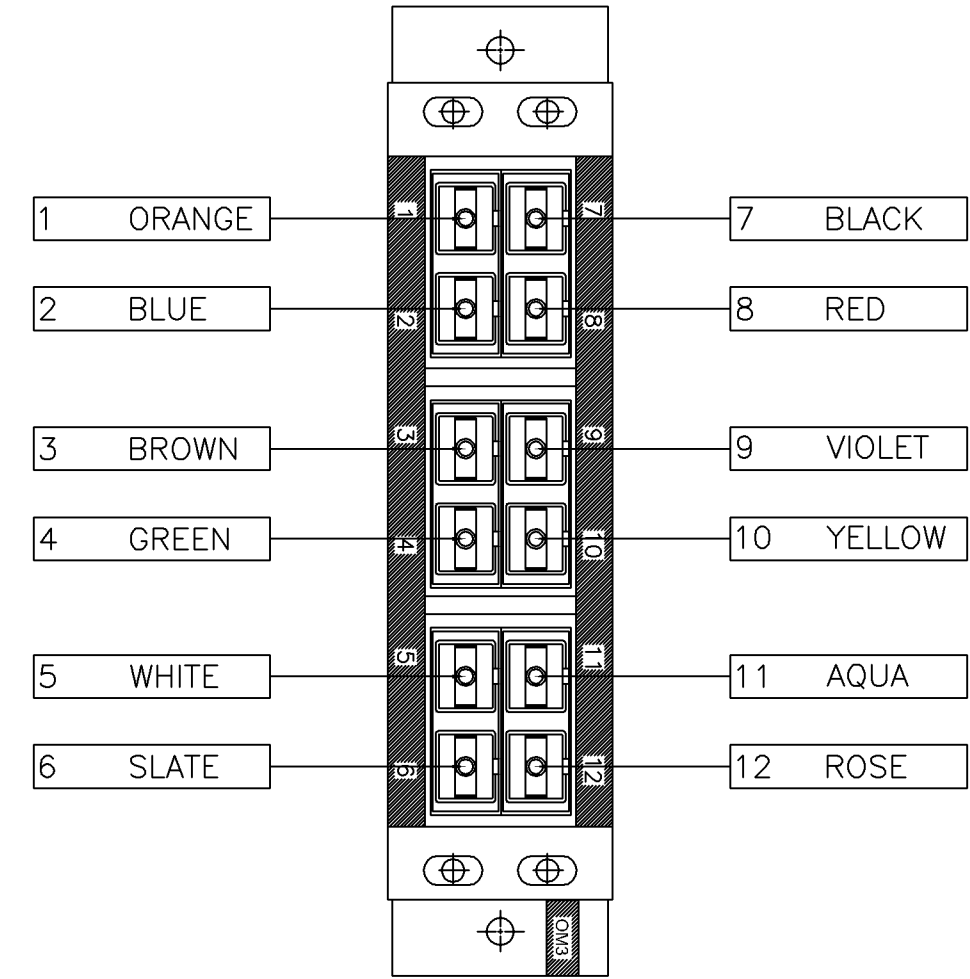
1

THIS DRAWING IS UNPUBLISHED. RELEASED FOR PUBLICATION
 © COPYRIGHT - By - ALL RIGHTS RESERVED.

LOC	DIST	REVISIONS			
P	LTR	DESCRIPTION	DATE	OWN	APVD
-	-	SEE SHEET 1	-	-	-



LEFT VIEW
(STRAIGHT THROUGH)



LEFT VIEW
(PAIRS FLIPPED)

D

D

C

C

B

B

A

A

1568666

THIS DRAWING IS A CONTROLLED DOCUMENT.		OWN 21 NOV 05 ALLEN GUMP	STE TE Connectivity
DIMENSIONS: METER		CHK 21 NOV 05 RICHARD ZHAO	
TOLERANCES UNLESS OTHERWISE SPECIFIED:		APVD 21 NOV 05 RICHARD ZHAO	NAME MPO-SC CASSETTE 12F SM/OM1/OM3
0 PLC ± -		PRODUCT SPEC	APPLICATION SPEC
1 PLC ± -		APPLIC. SPEC	RESTRICTED TO
2 PLC ± -		WEIGHT	SIZE CAGE CODE DRAWING NO
3 PLC ± -		-	A2 00779 C-1568666
4 PLC ± -		CUSTOMER DRAWING	SCALE NTS SHEET 2 of 3 REV K
ANGLES ± -			
FINISH			

THIS DRAWING IS UNPUBLISHED.		RELEASED FOR PUBLICATION		
COPYRIGHT - By -		ALL RIGHTS RESERVED.		
PART NUMBER	FIBER TYPE	ADAPTER/MPO	ADAPTER/SC	DESCRIPTION
1568666-1	SM	BLACK	BLUE	OS2 FLIPPED
1568666-2	OM1	BLACK	BIEGE	OM1 FLIPPED
1568666-3	OM3	BLACK	BEIGE	OM3 FLIPPED
1568666-4	SM	BLACK	BLUE	OS2 STRAIGHT
1568666-5	OM1	BLACK	BIEGE	OM1 STRAIGHT
1568666-6	OM3	BLACK	BEIGE	OM3 STRAIGHT
1568666-7	OM3	BLACK	AQUA	OM3 FLIPPED
1568666-8	OM3	BLACK	AQUA	OM3 STRAIGHT
8-1568666-8	OM3	BLACK	AQUA	OM3 STRAIGHT

LOC	DIST	REVISIONS			
P	LTR	DESCRIPTION	DATE	OWN	APVD
-	-	SEE SHEET 1	-	-	-

△ 2 DETAIL D.



- 1568666-1 OS2 PAIRS FLIPPED
- 1568666-2 OM1 PAIRS FLIPPED
- 1568666-3 OM3 PAIRS FLIPPED
- 1568666-4 OS2 STRAIGHT
- 1568666-5 OM1 STRAIGHT
- 1568666-6 OM3 STRAIGHT
- 1568666-7 OM3 PAIRS FLIPPED
- 1568666-8 OM3 STRAIGHT
- 8-1568666-8 NON-WORKING SAMPLE

- △ 1 WHITE MARKING ON MPO ADAPTER TO BE FACING TOWARD TOP OF CASSETTE. WHITE MARK INDICATES MPO FIBER 1 SIDE.
- △ 2 TRACE LABEL SEE DETAIL D.
- 3. MAX LOSS OF CASSETTE:
 OS2(SM): 1.0dB @1310nm & 1550nm
 OM1(62.5): 1.5dB OFL@1300nm;
 0.6dB PER IEC61300-3-4 @850nm
 OM3: 0.6dB PER IEC61300-3-4 @850nm CPR 20-24dB
 MEASURED PER EACH CHANNEL FOR ALL.

 MIN RETURN LOSS:
 OS2(SM): 50dB @1310nm
 OM1(62.5): 20dB @1300nm
 OM3: 20dB @850nm
- △ 4 PLACE CASSETTE SHEET BETWEEN THE CABLE ASSEMBLY AND THE LID.
- △ 5 PLACE TRACE LABEL AT THIS AREA AS SHOWN.
- 6. TEST DATA SHEET TO BE ENCLOSED WITH UNIT PACKAGE
- △ 7 NON-WORKING SAMPLE WITH SIMPLE POLISHING AND NO TESTING
- △ 8 ENCLOSE BLANK LABEL IN UNIT PACKAGE

QTY	QTY	QTY	QTY	QTY	Description	Item
6	6	6	6	6	BLANK LABEL	24
1	1	1	1	1	FOAC SADDLE CLIP	23
1	1	1	1	1	COVER	22
1	1	1	-	-	LABEL "OM3"	21
-	-	-	1	-	LABEL "OM1"	20
-	-	-	-	1	LABEL "OS2"	19
1	1	1	-	-	FOMM50 OM3 LEAD MPO-12xSC/PC	18
-	-	-	1	-	FOMM 62,5 LEAD MPO-12xSC/PC	17
-	-	-	-	1	FOSM LEAD MPO-12xSC/PC	16
1	1	1	1	1	IDENTIFICATION PORT LABEL	15
1	1	1	1	1	IDENTIFICATION PORT LABEL	14
1	1	1	1	1	TRACE LABEL	13
1	1	1	1	1	FOAC PLASTIC SHEET WITH CUT OUTS	12
1	1	1	1	1	MPO COUPLING BUSH	11
6	6	-	-	-	ASSEMBLY ADAPTOR DUPLEX SC AQUA	10
-	-	6	6	-	ASSEMBLY ADAPTOR DUPLEX SC BEIGE	9
-	-	-	-	6	ASSEMBLY ADAPTOR DUPLEX SC BLUE	8
6	6	6	6	6	FOAC ADAPTOR FIXER	7
1	1	1	1	1	FOAC ADAPTOR PLATE	6
1	1	1	1	1	PAN HEAD SCREW WITH WASHER	5
2	2	2	2	2	GROMMET	4
2	2	2	2	2	PLUNGER	3
8	8	8	8	8	FOAC #2-56 SCREW	2
1	1	1	1	1	FOAC CONNECTOR MODULE BLACK	1
8-8	-7/8	-3/6	-2/5	-1/4	Description	Item

THIS DRAWING IS A CONTROLLED DOCUMENT.		OWN ALLEN GUMP 21 NOV 05	TE Connectivity	
		CHK RICHARD ZHAO 21 NOV 05		
DIMENSIONS: METER		APVD RICHARD ZHAO 21 NOV 05	NAME MPO-SC CASSETTE 12F SM/OM1/OM3	
		PRODUCT SPEC	APPLICATION SPEC	
TOLERANCES UNLESS OTHERWISE SPECIFIED:		SIZE CAGE CODE DRAWING NO RESTRICTED TO		
0 PLC ± -		A2 00779 C-1568666		
1 PLC ± -		WEIGHT -		
2 PLC ± -		CUSTOMER DRAWING		
3 PLC ± -		SCALE NTS SHEET 3 of 3 REV K		
4 PLC ± -				
ANGLES ± -				
FINISH				